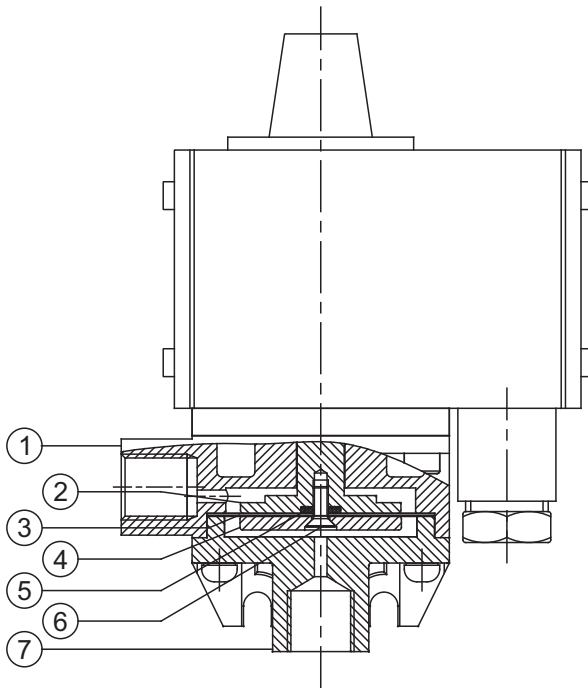


PD HIGH RANGE ΔP SWITCHES



PRESSURE CAPSULE DETAILS

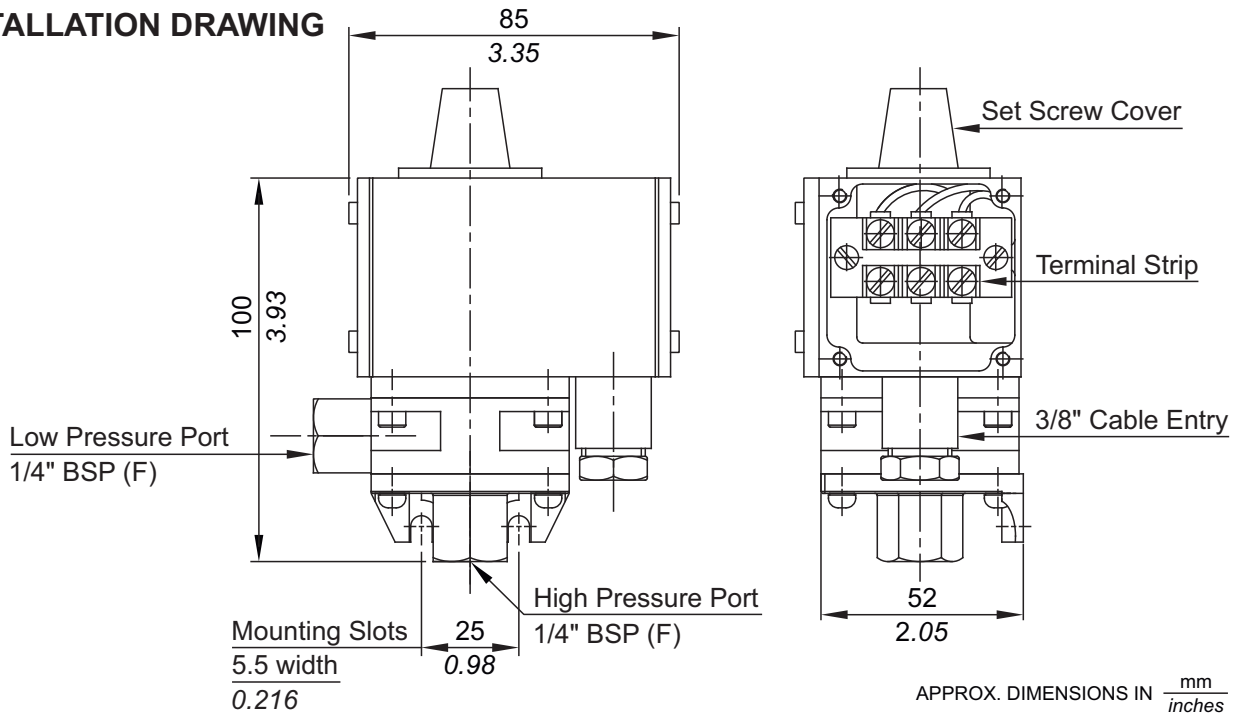


No. Description

1. *Low Pressure Port (SS316L)*
2. *LP Plunger (SS316L)*
3. *Diaphragm (PTFE®)*
4. *HP Plunger (SS316L)*
5. *O-ring (Viton)*
6. *M3 CSK Screw (SS)*
7. *High Pressure Port (SS316L)*

Note : *wetted parts* are mentioned in italics.

INSTALLATION DRAWING



HIGH RANGE ΔP SWITCHES PD

GENERAL INFORMATION :

PD series pressure difference switches are housed in pressure die cast aluminium powder coated enclosure and recommended for panel mounting or outdoor service based on the type of enclosure opted for. The repeat accuracy is better than $\pm 1\%$ FSR. A 3/8" cable entry is provided for cables and a terminal strip suitable for wired ends is provided inside the enclosure. Pressure ports are 1/4" BSPF standard.

FEATURES :

- Compact
- Separate chamber for working parts
- Choice of wetted parts to suit working media
- Electrical rating : 5A, 250VAC; 0.2A, 250 VDC (res.)
- Pressure ports : 1/4" BSPF

Some Applications : Used in water treatment plants, bag filters, strainers, etc.

Range Selection Table

Range Code	Range bar (psi) ΔP	Approximate Maximum Differential* bar (psi)	Maximum Working Pressure bar (psi)
H01	0.1 - 1.0 (1.45 - 14.50)	0.1 (1.45)	12 (174.05)
H02	0.1 - 1.5 (1.45 - 21.76)	0.2 (2.90)	12 (174.05)
H03	0.2 - 2.6 (2.90 - 37.71)	0.2 (2.90)	12 (174.05)
H04	0.2 - 3.6 (2.90 - 52.21)	0.2 (2.90)	12 (174.05)

*Minimum differential increases with setpoint (Graphs available on request)

How to order PD series high range pressure difference switches

Group 1	Group 2	Group 3	Group 4	Group 5	Group 6
Model	Range Code	Range Scale	Pressure Housing	Diaphragm	Enclosure
PD - Pressure Difference Switch	H - High Pressure Range	U - Uncalibrated C - Calibrated	D - SS 316	0 - Neoprene 1 - PTFE	0 - IP 54 1 - IP 65as per IS60529

Eg. A pressure difference switch, high pressure range from 0.1-1.5 bar in calibrated style with brass pressure housing & teflon diaphragm as wetted parts & a standard enclosure shall be specified by

Group 1	Group 2	Group 3	Group 4	Group 5	Group 6
PD	H02	C	D	1	0

Please specify full model number to avoid ambiguity. If only the first two groups are specified while ordering, uncalibrated switches with standard wetted parts and enclosures will be supplied.